

Benchttop rotary dispensing system
RD100

POLY DISPENSING SYSTEMS
S Y S T E M E S D E D O S A G E I N D U S T R I E L

RD100

BENCHTOP ROTARY DISPENSING SYSTEM

The RD100 is a programmable rotary table that is ideal for dispensing circular or angled patterns. This simple dispense system uses a single stepper motor on the base to rotate a part as the dispense head above accurately applies a bead of fluid. Flexibility and adjustment of the dispense head, rotation angle, and programmable control interface allow this simple dispense system to apply seamless beads of adhesives and sealants.

The RD100 has many integrated features including :

- Lightweight tabletop design that favors portability
- Front panel LCD controller with function keys
- Fully programmable revolution speed and degree of revolution
- Integrated controls to operate syringes, cartridges, or valves
- Ability to mount syringes or any other valve
- Dispense valves can be fed from any reservoirs
- Adjustable z-axis with tilt
- Pneumatic z-slide travel of 50 mm (2 in)
- Push button or foot pedal activation
- Single and dual rotary tables available



SPECIFICATIONS

Power

110-220 VAC 50 - 60 Hz

Air Supply

80psi dry, unlubricated air at < 10 CFM

Footprint

362 mm x 286 mm (14.25" x 11.25")

Maximum Part Diameter

165 mm (6.5")

Maximum Bead Diameter

165 mm (6.5")

Maximum Part Height

127 mm (5")

Payload Capacity

2.28 kg (5 lbs)

Repeatability

0.04 mm (0.0016")

Resolution

0.02mm (0.0008")

Motor

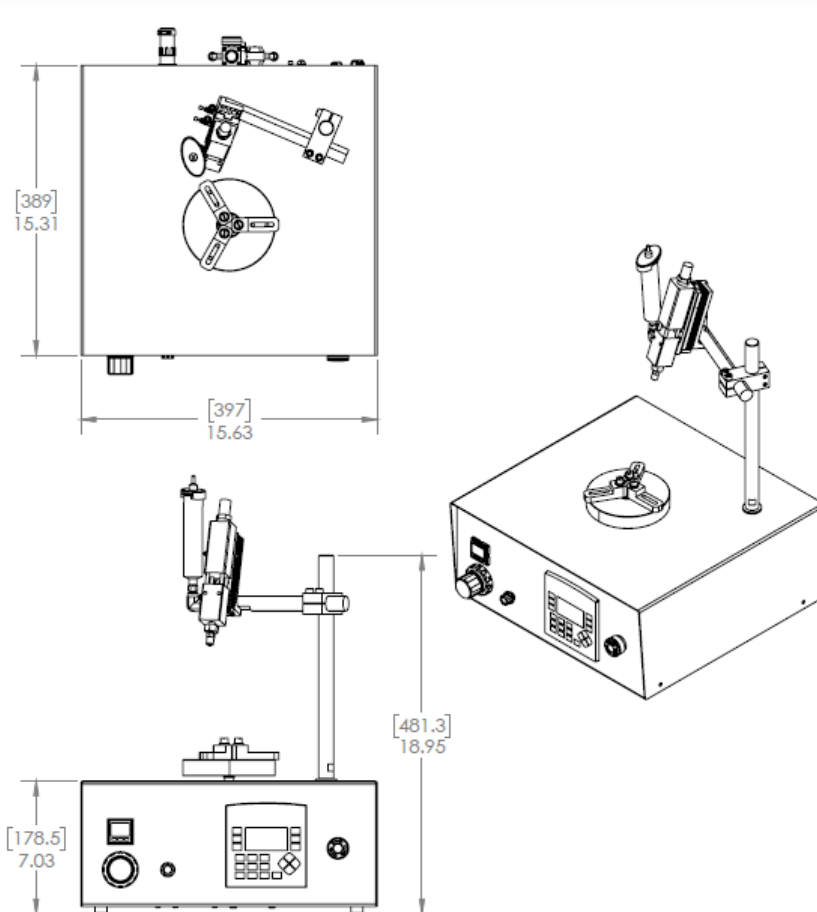
Stepper motor drive

Maximum Revolution Speed

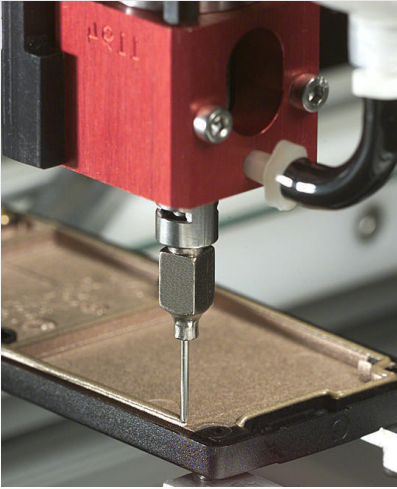
60 RPM

Degree of Revolution

Programmable 1° - 1080°



Poly Dispensing Systems



PDS S.A.S is a french company that commercializes a wide range of dosage equipments, proven and effective.

Distributed in over 20 countries around the world, these equipments provide tailored solutions to many users in order to improve technically their manufacturing and reduce their productions costs.

Our collaborators and sales engineers all have a strong technical competences. They are able to answer your questions and offer you, after analysis, the right solution for your particular need

FRANCE - SWITZERLAND
NORTH AFRICA

Poly Dispensing Systems
122, Chemin de la Cavée
78630 Orgeval

FRANCE

☎ + 33 (0)1 39 62 40 92

📠 + 33 (0)1 39 62 40 94

www.polydispensing.com

BELGIUM- HOLLANDE
LUXEMBOURG

Gentec Benelux
Rue de L'Industrie, 12
B-1400 Nivelles

BELGIUM

☎ +32 2 351 1800

📠 +32 2 351 1962

www.gentec-benelux.com

POLY DISPENSING SYSTEMS

S Y S T E M E S D E D O S A G E I N D U S T R I E L

122, Chemin de la Cavée - 78630 Orgeval • contact@polydispensing.com • Tel : 01.39.62.40.92

www.polydispensing.com